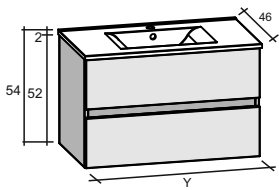
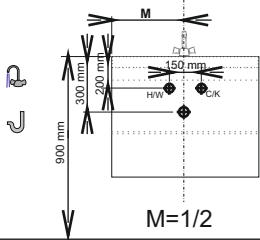


# PORTO Underbasin Cabinet

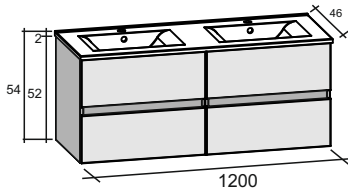
1 tap hole  
1 drain hole



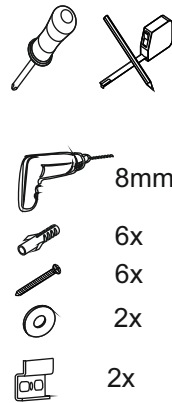
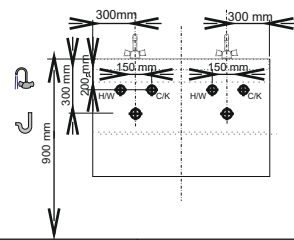
Y = 600-800-1000mm



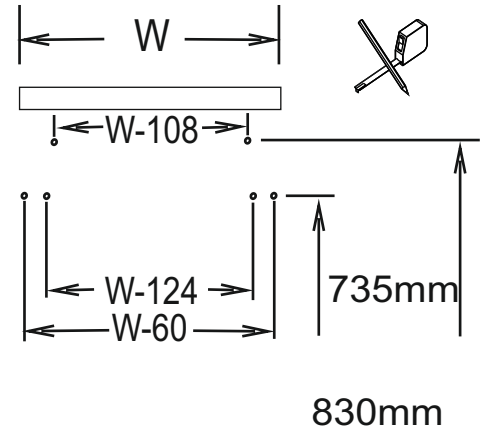
2 tap holes  
2 drain holes



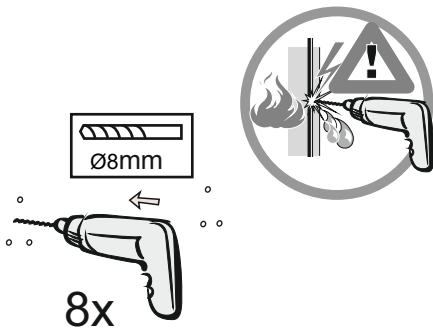
Y = 1200mm



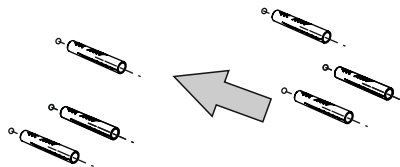
1 Y=600/800/1000/1200mm



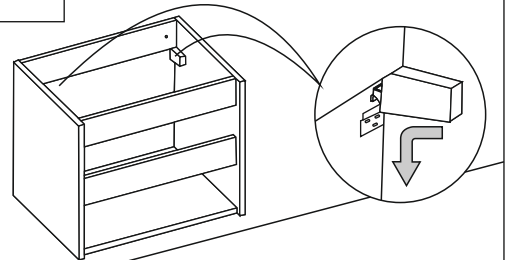
2



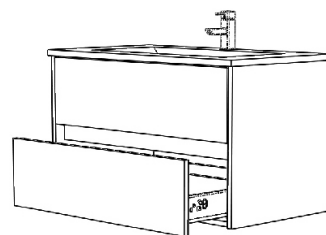
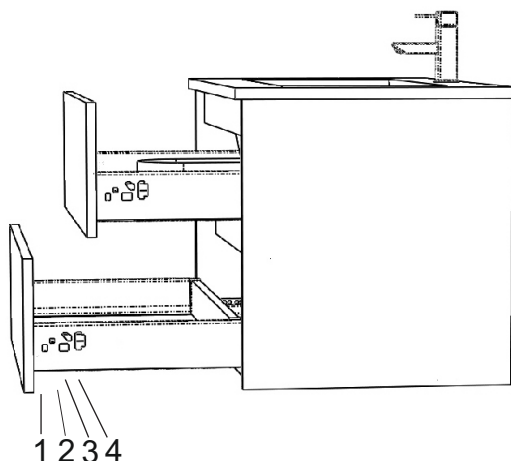
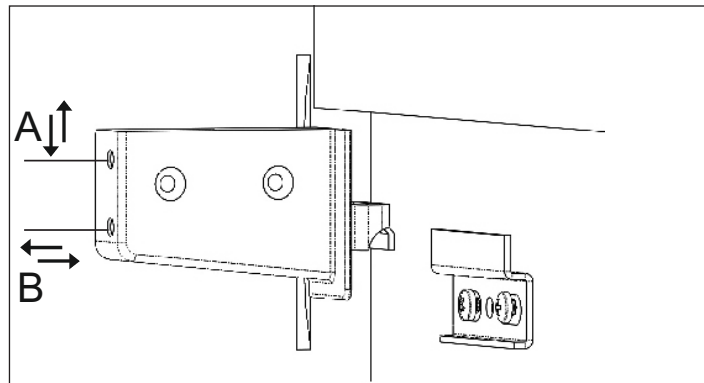
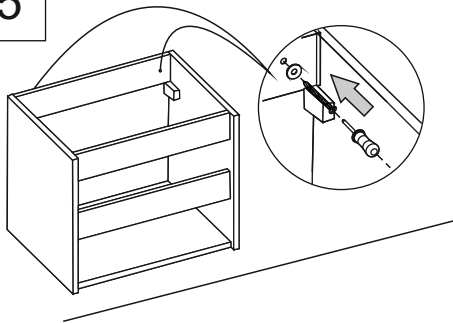
3



4



5



- 1 - Adjust left / right
- 2 - Adjust in height
- 3 - Remove drawer
- 4 - Remove front